

# CHEETAH

## RUGGEDIZED CAMERA SERIES

### C6410

### CMOS 31 MP

GigE Vision® with Power over Ethernet (PoE)



## PRELIMINARY

### Imperx: C6410

The POE-C6410 camera features the Sony Pregius IMX342 Global Shutter CMOS sensor with a native resolution of 6464 x 4852 in an APS-C optical format delivering up to 3.7 frames per second with GigE Vision® Power over Ethernet (PoE) output. The Sony Pregius image sensor delivers outstanding sensitivity and excellent image quality. Imperx puts you in control by providing full access to raw data without corrections. Using the simple intuitive graphical user interface, you can quickly apply image corrections, if desired. The C6410's flexibility, image quality, and speed make it suitable for a broad range of diverse and demanding applications, but "one size doesn't fit all," and Imperx can help optimize the camera to your exact requirements.

### Specifications

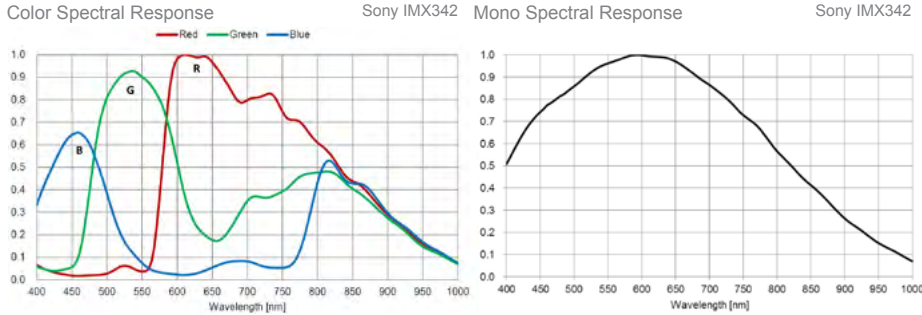
Feature	Description	Feature	Description
Output Interface	GigE Vision® with Power over Ethernet (PoE)	Strobe Output	2 strobes, programmable position and duration
Resolution	6464 (H) x 4852 (V)	Pulse Generator	Yes, programmable
Sensor	Sony Pregius IMX342 CMOS Color/Mono	Data Correction	4 LUTs pre-programmed with Gamma 0.45; Bad pixel correction (static, dynamic)
Sensor Format	22.3 mm (H) x 16.6 mm (V), 27.9 mm diagonal, APS-C optical format	Lens Mount	F-Mount (Default)
Pixel Size	3.45 microns square	Canon EF Mount	Optional, Active or Passive
Shutter	Global shutter (GS)	Supply Voltage Range	12 VDC (5 V – 30 V), 1.5 A inrush
Sensor Digitization	12-bit	Power Consumption	3.8 W (EST)
Frame Rate	3.7 fps (8-bit), 1.8 fps (10-bit/12-bit unpacked), 2.5 fps (10-bit/12-bit packed)	PoE Capable	Yes
Dynamic Range	71 dB	Size - Width/Height/Length	60 mm (W) x 60 mm (H) x 59.5 mm (L)
Output Bit Depth	8, 10, 12-bit	Weight	TBD
Analog/Digital Gain	Manual, Auto; 0 dB – 48 dB, 480 steps	Vibration, Shock	20G/100G
Digital Gain	1x (0 dB) to 4x (12 dB) with a precision of 0.001x	Environmental	-30 °C to +75 °C Operating; -40 °C to +85 °C Storage
Black Level Offset	Manual (0 – 255), Auto	Humidity	10% to 90% non-condensing
White Balance	Manual, Auto, Off	MTBF	TBD
Shutter Speed	1 µs/step, 30 µs to 16.0 s	Military Standard	MIL-STD-810G
Exposure Control	Off, Manual, External, Auto	Regulatory	FCC Part 15 Class A, CE, China RoHS
Regions of Interest (ROI)	2 ROI		
Binning	1x2, 2x1, 2x2		
Sub-sampling	1x2, 2x1, 2x2		
Trigger Inputs	External, Pulse generator, Software		
Trigger Options	Edge, Pulse width, Trigger filter, Trigger delay, Debounce		
Trigger Modes	Free run, Standard, Fast		
External Inputs/Outputs	2 IN (OPTO, LVTTTL) / 2 OUT (OPTO, TTL)		

## Imperx: C6410 Applications

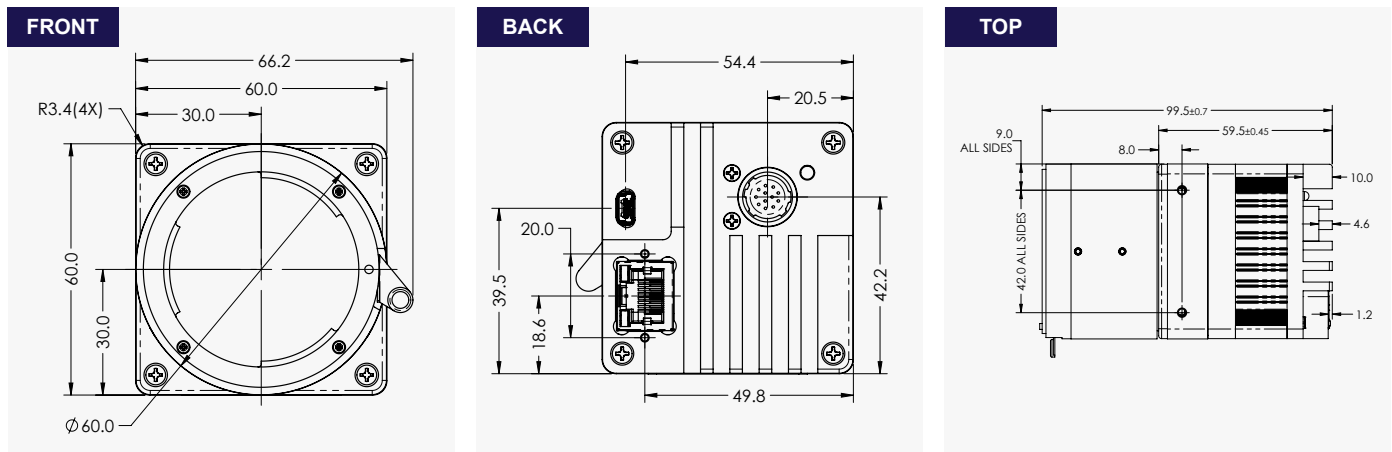
The POE-C6410 incorporates a number of unique features tailored to reduce system complexity, maximize interface bandwidth, and expand the usable operational range.

Aerospace • Satellites • Surveillance • Ball Grid Array • Printed Circuit Board Inspection • Motion Analysis • Broadcast Television • Telepresence • Unmanned Aerial Vehicles • Machine Vision • Intelligent Traffic Systems • Aerial Imaging • Open Road Tolling Systems • Situational Awareness

## Absolute Quantum Efficiency



## Dimensions

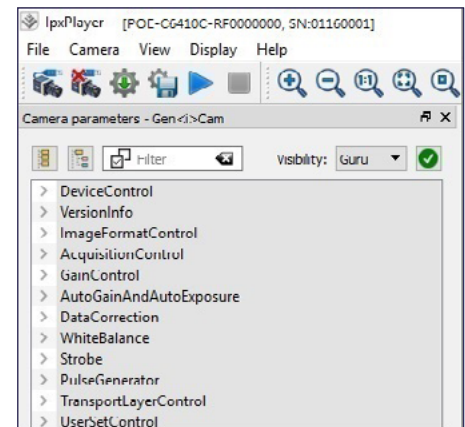


## Ordering Information

Output Interface
GiG Vision® with Power over Ethernet (PoE®)
Sensor Types available
Monochrome
Bayer Color

Lens Mounts
F-Mount (Default)
M42 (Optional)
Canon EF Mount (Optional)
Accessories (Sold separately)
PS12V04A-Power Supply w/ 1 input and 1 output

## Gen<I>Cam Compliant Camera Configurator



## Hirose Connectors

Power and I/O Interface	
	<ul style="list-style-type: none"> <li>1. 12 VDC Return</li> <li>2. +12 VDC Power</li> <li>3. Reserved</li> <li>4. Reserved</li> <li>5. OUT2 RTN (OPTO)</li> <li>6. OUT1 RTN</li> <li>7. OUT1 (TTL)</li> <li>8. IN1 (OPTO)</li> <li>9. IN2 (LVTTTL)</li> <li>10. IN1 RTN</li> <li>11. IN2 RTN</li> <li>12. OUT2 (OPTO)</li> </ul>

Connector: Hirose HR10A-10R-12PB(71)

Rev: poe\_c6410\_r4\_2019

Quality Management System ISO 9001:2015 Registered  
 Environmental Management System ISO 14001:2015 Registered  
 DDTC Registered (Directorate of Defense Trade Controls, US Department of State)



IMPERX 6421 Congress Ave., Boca Raton, FL 33487, USA  
 Tel: +1-561-989-0006. Email: sales@imperx.com



WWW.IMPERX.COM

Technical data has been fully checked, but accuracy of printed matter is not guaranteed. Subject to change without notice. Copyright 2019.