

CHEETAH

RUGGEDIZED CAMERA SERIES

C5410

CMOS 17 MP

GigE Vision® with Power over Ethernet (PoE)



PRELIMINARY

Imperx: C5410

The POE-C5410 camera features the Sony Pregius IMX387 Global Shutter CMOS sensor with a native resolution of 5472 x 3084 in a 4/3" optical format delivering up to 7 frames per second with GigE Vision® Power over Ethernet (PoE) output. The Sony Pregius image sensor delivers outstanding sensitivity and excellent image quality. Imperx puts you in control by providing full access to raw data without corrections. Using the simple intuitive graphical user interface, you can quickly apply image corrections, if desired. The C5410's flexibility, image quality, and speed make it suitable for a broad range of diverse and demanding applications, but "one size doesn't fit all," and Imperx can help optimize the camera to your exact requirements.

Specifications

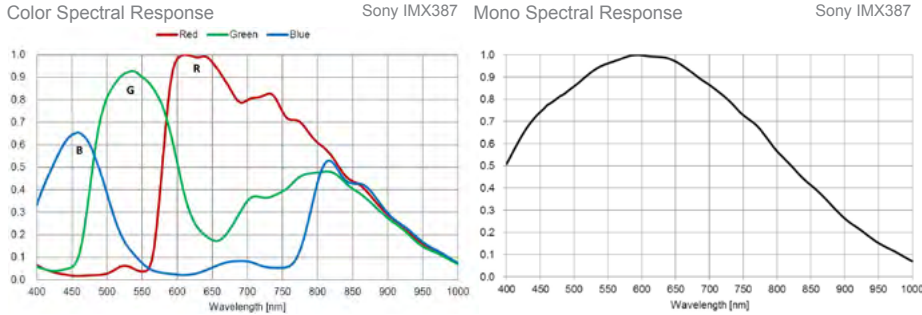
Feature	Description	Feature	Description
Output Interface	GigE Vision® with Power over Ethernet (PoE)	Strobe Output	2 strobes, programmable position and duration
Resolution	5472 (H) x 3084 (V)	Pulse Generator	Yes, programmable
Sensor	Sony Pregius IMX387 CMOS Color/Mono	Data Correction	4 LUTs pre-programmed with Gamma 0.45; Bad pixel correction (static, dynamic)
Sensor Format	18.9 mm (H) x 10.6 mm (V), 4/3" optical format	Lens Mount	F-Mount (default)
Pixel Size	3.45 microns square	Canon EF Mount	Optional, Active or Passive
Shutter	Global shutter (GS)	Supply Voltage Range	12 VDC (5 V – 30 V), 1.5 A inrush
Sensor Digitization	12-bit	Power Consumption	3.8 W (EST)
Frame Rate	7 fps (8-bit), 3.5 fps (10-bit/12-bit unpacked), 4.6 fps (10-bit/12-bit packed)	Camera Current	Typical: 320 mA/12 V (EST)
Dynamic Range	71 dB	PoE Capable	Yes
Output Bit Depth	8, 10, 12-bit	Size - Width/Height/Length	60 mm (W) x 60 mm (H) x 59.5 mm (L)
Analog/Digital Gain	Manual, Auto; 0 dB – 48 dB, 480 steps	Weight	TBD
Digital Gain	1x (0 dB) to 4x (12 dB) with a precision of 0.001x	Vibration, Shock	20G/100G
Black Level Offset	Manual (0 – 255), Auto	Environmental	-30 °C to +75 °C Operating; -40 °C to +85 °C Storage
White Balance	Manual, Auto, Off	Humidity	10% to 90% non-condensing
Shutter Speed	1 µs/step, 30 µs to 16.0 s	MTBF	TBD
Exposure Control	Off, Manual, External, Auto	Military Standard	MIL-STD-810G
Regions of Interest (ROI)	2 ROI	Regulatory	FCC Part 15 Class A, CE, China RoHS
Binning	1x2, 2x1, 2x2		
Sub-sampling	1x2, 2x1, 2x2		
Trigger Inputs	External, Pulse generator, Software, Computer		
Trigger Options	Edge, Pulse width, Trigger filter, Trigger delay, Debounce		
Trigger Modes	Free run, Standard, Fast		
External Inputs/Outputs	2 IN (OPTO, LVTTTL) / 2 OUT (OPTO, TTL)		

Imperx: C5410 Applications

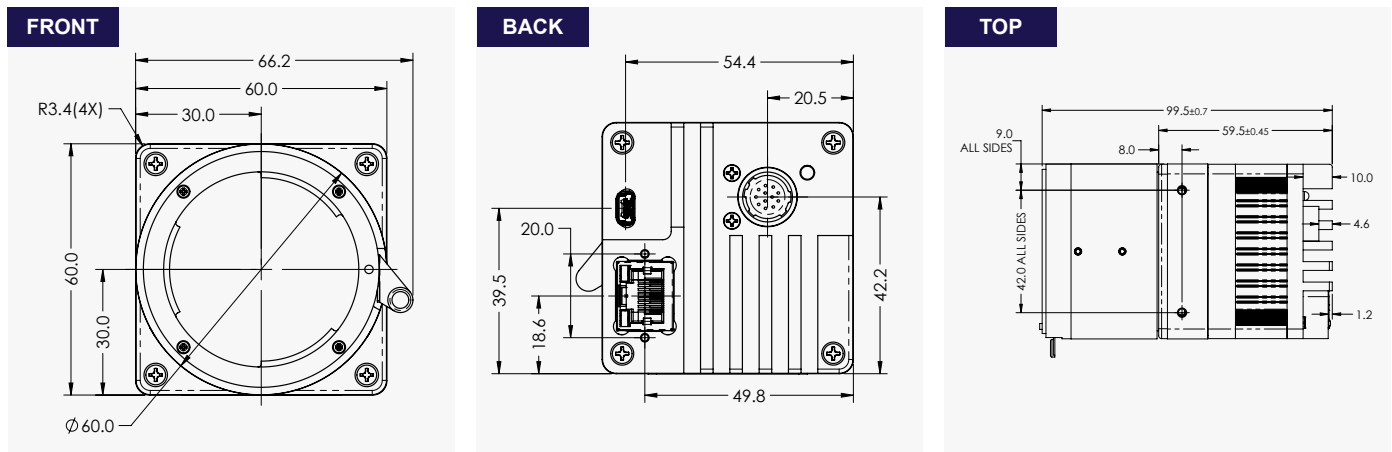
The POE-C5410 incorporates a number of unique features tailored to reduce system complexity, maximize interface bandwidth, and expand the usable operational range.

Aerospace • Satellites • Surveillance • Ball Grid Array • Printed Circuit Board Inspection • Motion Analysis • Broadcast Television • Telepresence • Unmanned Aerial Vehicles • Machine Vision • Intelligent Traffic Systems • Aerial Imaging • Open Road Tolling Systems • Situational Awareness

Absolute Quantum Efficiency



Dimensions

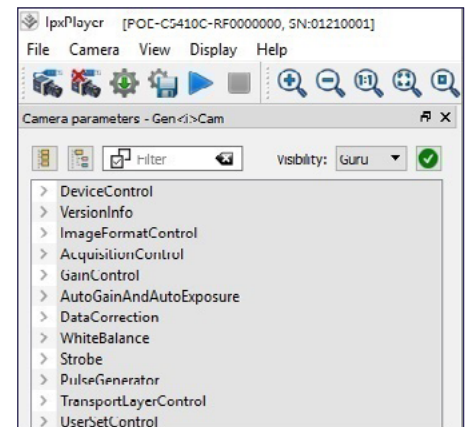


Ordering Information

Output Interface
GiG Vision® with Power over Ethernet (PoE®)
Sensor Types available
Monochrome
Bayer Color

Lens Mounts
F-Mount (Default)
M42 (Optional)
Canon EF Mount (Optional)
Accessories (Sold separately)
PS12V04A-Power Supply w/ 1 input and 1 output

Gen<I>Cam Compliant Camera Configurator



Hirose Connectors

Power and I/O Interface	
	<ul style="list-style-type: none"> 1. 12 VDC Return 2. +12 VDC Power 3. Reserved 4. Reserved 5. OUT2 RTN (OPTO) 6. OUT1 RTN 7. OUT1 (TTL) 8. IN1 (OPTO) 9. IN2 (LVTTTL) 10. IN1 RTN 11. IN2 RTN 12. OUT2 (OPTO)

Connector: Hirose HR10A-10R-12PB(71)

Rev: poe_c5410_r4_2019

Quality Management System ISO 9001:2015 Registered
 Environmental Management System ISO 14001:2015 Registered
 DDTC Registered (Directorate of Defense Trade Controls, US Department of State)



IMPERX 6421 Congress Ave., Boca Raton, FL 33487, USA
 Tel: +1-561-989-0006. Email: sales@imperx.com



WWW.IMPERX.COM

Technical data has been fully checked, but accuracy of printed matter is not guaranteed. Subject to change without notice. Copyright 2019.